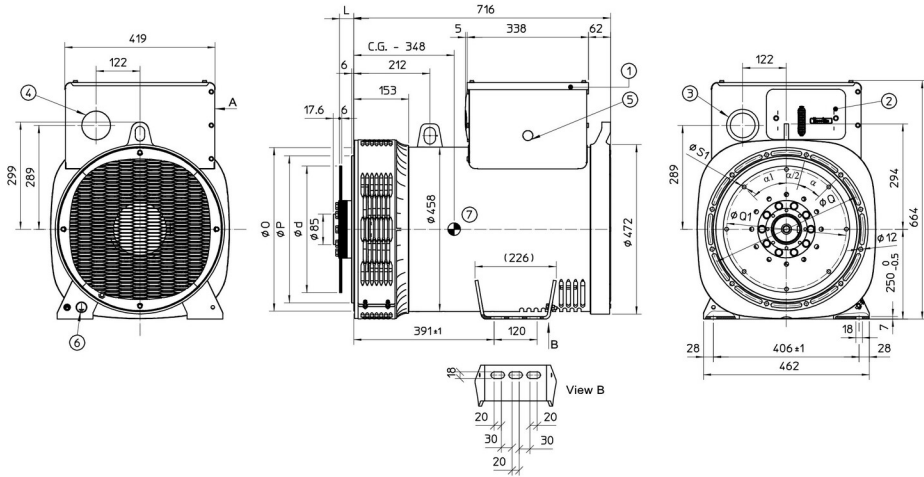
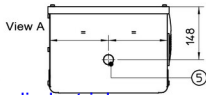


SINGLE BEARING DIMENSIONS



SAE N.	GIUNTI A DISCHI / DISC COUPLING				
	d	L	Q1	S1	α1
10	314.32	53.8	295.27	11	45°
11 1/2	352.42	39.6	333.37	11	45°

SAE N.	FLANGIA/FLANGE BRIDE/FLANSCH			
	O	P	Q	α
3	455	409.6	428.6	30°
2	492	447.7	466.7	30°
555	511.2	474.8	489.1	30°



- 1) REMOVABLE COVER FOR ACCESS TO MAIN TERMINALS
- 2) REMOVABLE PANEL FOR ACCESS TO AVR
- 3) FRONTAL STANDARD HOLE FOR CABLE ENTRY $\varnothing 80\text{mm}$
- 4) PRE-CUT ON MAIN PANEL FOR CABLE ENTRY $\varnothing 80\text{mm}$
- 5) PRE-CUT ON LATERAL PANEL FOR CABLE ENTRY $\varnothing 28\text{mm}$
- 6) SCREW M8 FOR TERMINALS
- 7) GRAVITY CENTER IN CONFIGURATION SAE 3 FLYWHEEL 11.5